



STREAMLINE™ PUMP CONFIGURATIONS

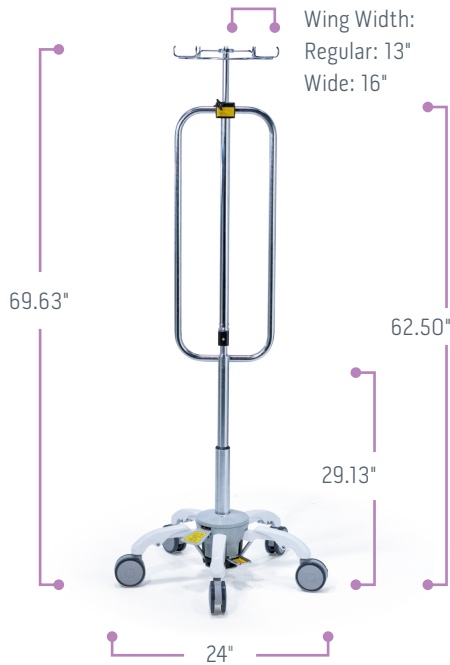


 **SKYTRON®**
TRUSTED PARTNER | PROVEN SOLUTIONS

One System. Multiple Advantages.

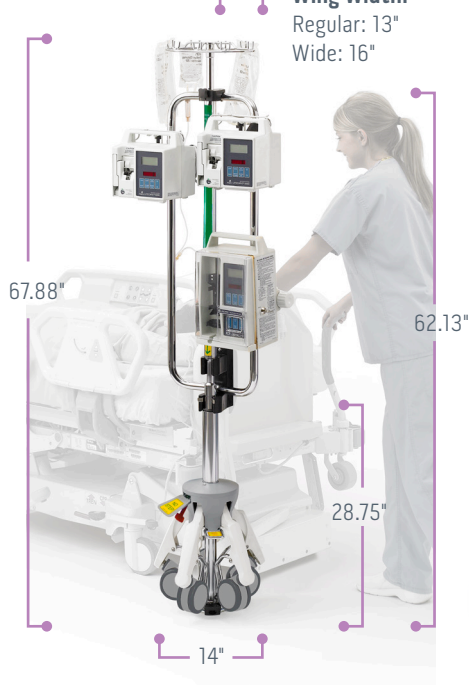
Dimensions

Wheels Down

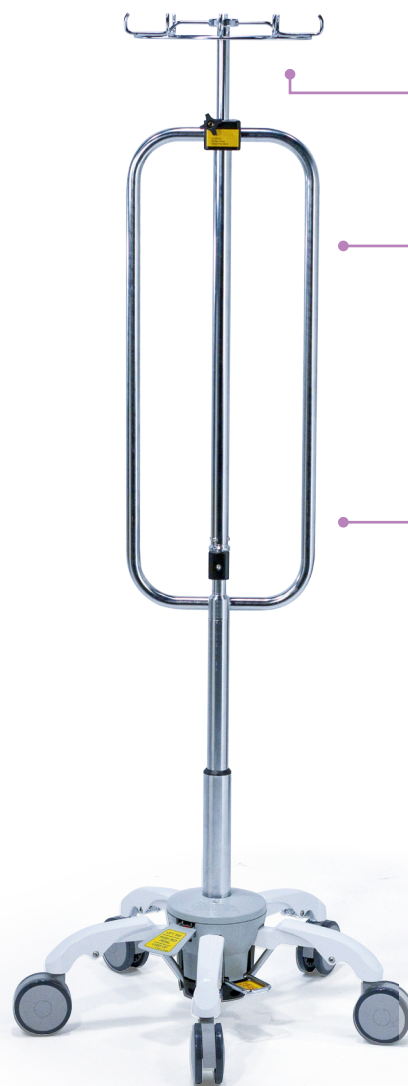


Dimensions

Wheels Retracted



The revolutionary Streamline IV Suspension System eliminates troublesome balance and maneuverability issues inherent in traditional IV poles, combining the advantages of both stand-alone and bed-mounted IV poles into one unit. The result—a safe and fast approach to patient and equipment transport.



8 hooks available for IV bags
(More IV bags can be used if 'piggy-backed')

Maximum IV pumps

Baxter: 6

Alerus: 3 central brains and up to 18 Total channels

B Brain: Up to 24 channels

Weight

With Wings: 36 lbs.

W/out Wings: 30.5 lbs.

Maximum Weight Capacity 105 lbs.

Center of Gravity: 17"

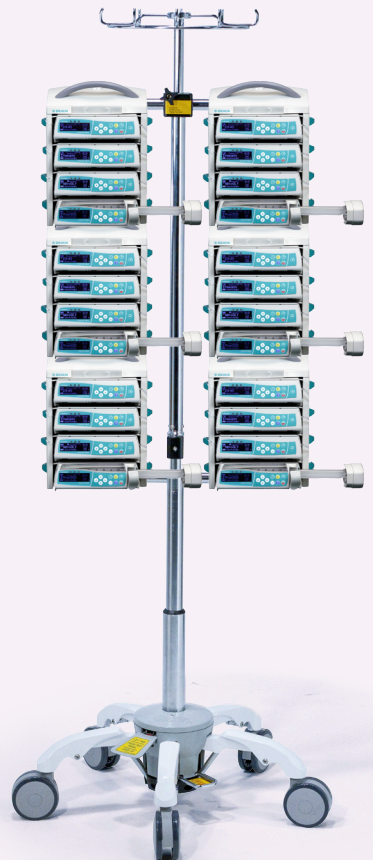
Alaris Side-by-Side Pumps
(3 up)



Baxter Single Pumps
(3 and 6 up)



B Braun Stacked Pumps
(3 and 6 up)



STREAMLINE™ PUMP CONFIGURATIONS

INNOVATIVE SOLUTIONS FOR THE OR, ER AND EVERY ROOM IN-BETWEEN



 **SKYTRON**
TRUSTED PARTNER | PROVEN SOLUTIONS



5085 Corporate Exchange Blvd. SE
Grand Rapids, MI 49512
1.800.SKYTRON (759.8766)
email: info@skytron.us
www.skytron.us

About Skytron Skytron is a privately held company specializing in solutions that drive efficiency in today's healthcare facilities. Our surgical tables, surgical & exam lighting, booms, video integration systems and other products help hospitals around the world work better. To learn more, visit our website at www.skytron.us.