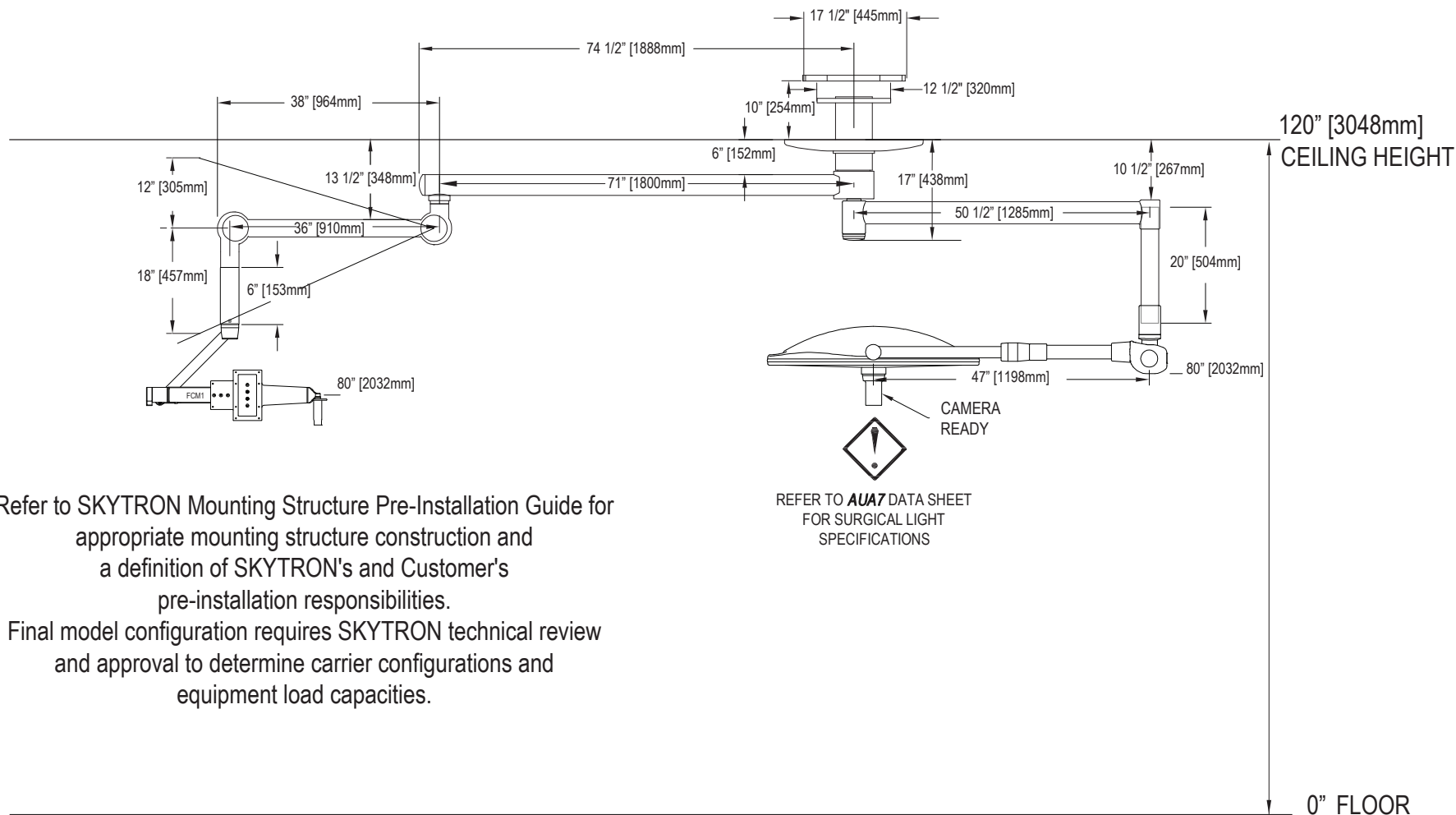


FIXTURE WEIGHT: 240 LBS. MOMENT LOAD: 1100 FT. LBS.

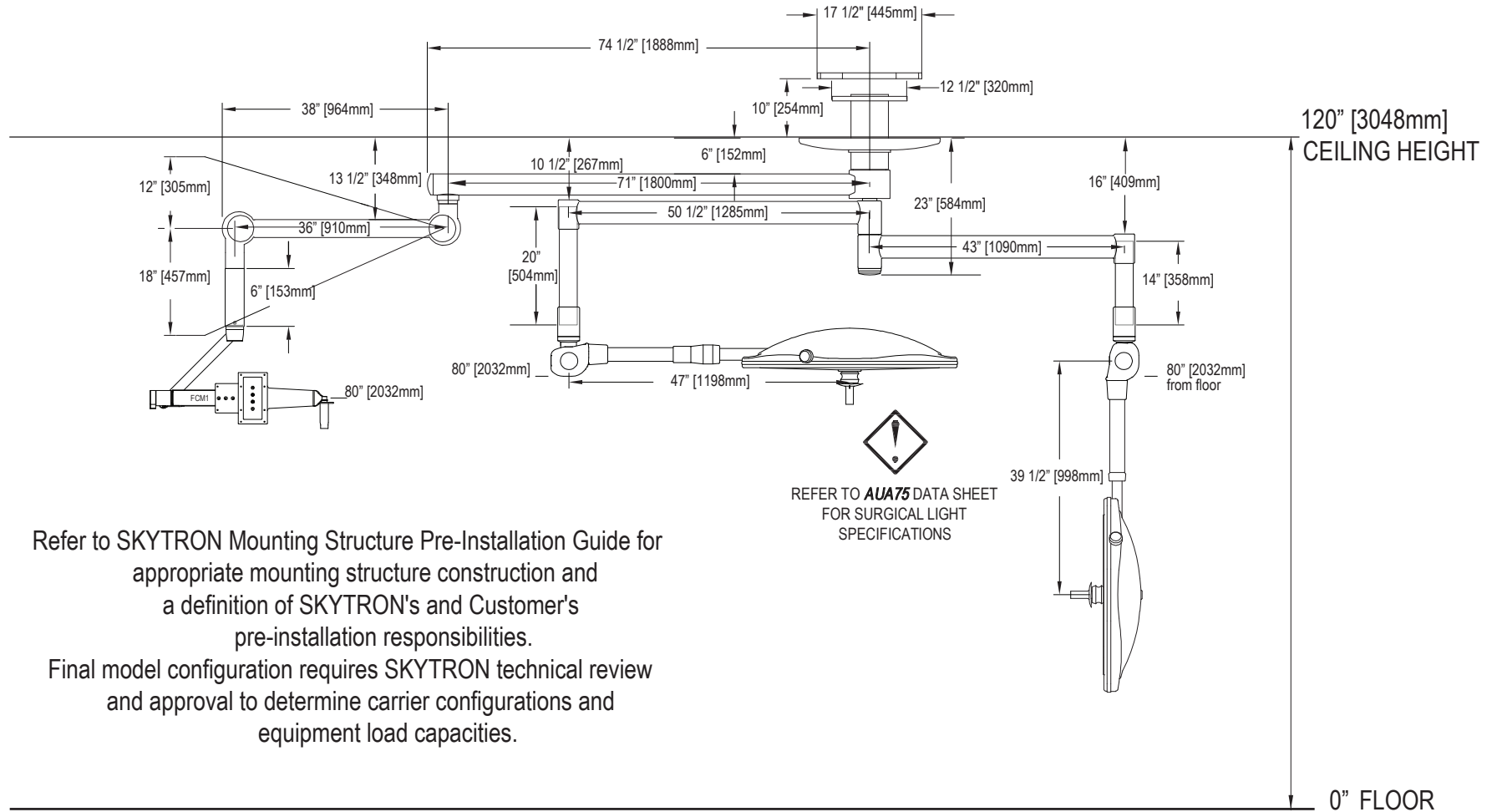
Ceiling height requirements		
	Maximum	Minimum
Monitor Spring Arm	120" [3048mm] = 80" [2032mm] center of monitor 6" [153mm] UST	115" [2921mm] = 79" [2007mm] center of monitor
Skylink Spring Arm	120" [3048mm] = 79" [2007mm] bottom of SkyLink	111" [2819mm] = 79" [2007mm] bottom of SkyLink



Refer to SKYTRON Mounting Structure Pre-Installation Guide for appropriate mounting structure construction and a definition of SKYTRON's and Customer's pre-installation responsibilities.
 Final model configuration requires SKYTRON technical review and approval to determine carrier configurations and equipment load capacities.

FIXTURE WEIGHT: 383 LBS. MOMENT LOAD: 1823 FT. LBS.

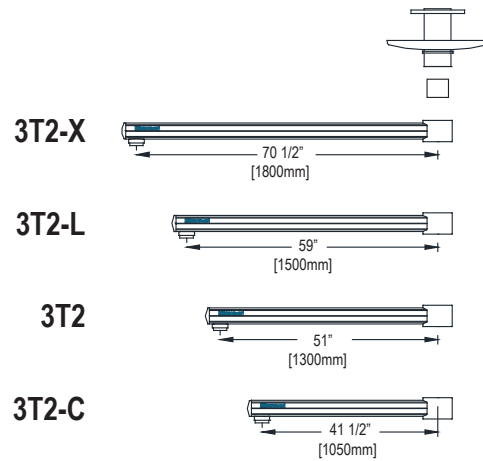
Ceiling height requirements		
	Maximum	Minimum
Monitor Spring Arm	120" [3048mm] = 80" [2032mm] center of monitor 80" [2032mm] BOM	107" [2718mm] = 70" [1778mm] center of monitor 80" [2032mm] BOM
Skylink Spring Arm	120" [3048mm] = 79" [2007mm] bottom of SkyLink 80" [2032mm] BOM	107" [2718mm] = 79" [2007mm] bottom of SkyLink 80" [2032mm] BOM



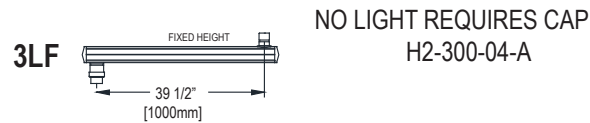
Refer to SKYTRON Mounting Structure Pre-Installation Guide for appropriate mounting structure construction and a definition of SKYTRON's and Customer's pre-installation responsibilities. Final model configuration requires SKYTRON technical review and approval to determine carrier configurations and equipment load capacities.

FIXTURE WEIGHT: 494 LBS. MOMENT LOAD: 2207 FT. LBS.

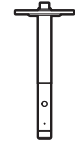
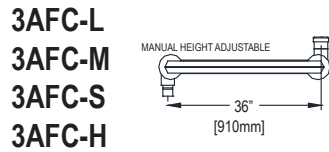
Ceiling height requirements		
	Maximum	Minimum
Monitor Spring Arm	120" [3048mm] = 80" [2032mm] center of monitor 80" [2032mm] BOM	113" [2870mm] = 76" [1930mm] center of monitor 80" [2032mm] BOM
Skylink Spring Arm	120" [3048mm] = 79" [2007mm] bottom of SkyLink 80" [2032mm] BOM	113" [2870mm] = 79" [2007mm] bottom of SkyLink 80" [2032mm] BOM



H2-300-00-A LW Hub/Ceiling cover
 H2-300-01-A LC Adapter
 or
 H2-201-56 LC Adapter with AUT1B mount



NO LIGHT REQUIRES CAP
 H2-300-04-A



MUST ADD SPINDLE TO SUPPORT LIGHTS

PART NO.	DESCRIPTION
H2-201-48	Light Spindle, 3LC, NL25
H2-201-49	Light Spindle, 3LC, NL2525
H2-201-46	Light Spindle, 3LC, AUA Single [TV or NON-TV]
H2-201-47	Light Spindle, 3LC, AUA Dual [TV or NON-TV]

Publish Date	Revision Number	Revision History
4/20/2015	0	Initial Release
12/15/2015	1	Chagned spring arm measurements
2/15/2016	2	RevMOVED duplicate page with 2 lights. Added page with 1 light.